



CuratOR[®] LX2420-T

Color Touch Monitor



23.8-inch High-Brightness Color Touch Monitor for Accurate Displaying Medical Images and System Interaction

Clear Visibility

The IPS panel technology provides high contrast and wide viewing angles for clear visibility, even when viewing the monitor from the side. In addition, the monitor delivers flicker-free images, even at low refresh rates, alleviating eyestrain caused by a flickering screen.

Intuitive Touchscreen Operation

The LX2420-T features projected capacitive touch technology which is more durable and reliable compared to other touch technologies. The touch screen can easily be operated while wearing gloves for use in sterile environments. It can detect up to 10 simultaneous touches for intuitive multi-touch operation. Additionally, palm rejection technology allows the user to rest their hand directly on the screen without causing any unintended input.



CuratOR® LX2420-T

Adapt Difference Resolution Signals

In OR and medical imaging environments, various equipment supporting different video signals and resolutions is frequently used. The LX2420-T can display video input signals in their actual size, enlarged, or displayed over the entire screen, depending on user needs.

Digital and Analog Video Inputs

The monitor has both DisplayPort™ and DVI-I input connections, allowing for flexible connection to modern or legacy imaging systems, whether the image source is digital or analog. The monitor automatically displays a connected analog video signal. If this is not sufficient, the display settings can be adjusted by using the On Screen Display (OSD).

DICOM® Part 14 Calibration

To ensure the most accurate and consistent shadings possible, EIZO carefully measures and sets every grayscale tone at the factory for full compliance with DICOM® Part 14. The six default presets contain practice-based settings. Each preset meets the current specifications for diagnostic monitors as standardized in the DIN 6868-157 room classes.

Stable Brightness and Instant Image Display

EIZO's fully automated stability function uses an internal backlight sensor to quickly stabilize the brightness level at startup and to compensate for fluctuations caused by variations in ambient temperature and the passage of time.

High Durability

The touchscreen has a non-scratch glass surface with a hardness of 7H for durability. In addition, it has a minimum touch life of 10 million touches for long-term reliability.

Installation on a VESA Mount

Compliance with the VESA standard enables attachment to existing mounting accessories, such as medical equipment carts or ceiling suspensions.

Easy Access to Control Buttons

The control buttons for the OSD are located on the side for easy access. The OSD buttons can be locked to prevent accidental or unauthorized adjustment to the monitor.

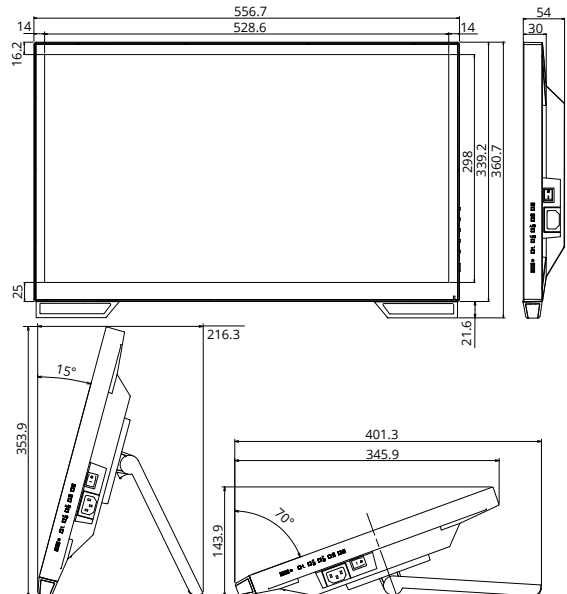
Reclining Stand

The reclining stand of LX2420-ST provides flexible positioning to allow the monitor to rest flat or at the ideal angle.

Specifications

Model Variations		LX2420-T: without reclining stand LX2420-ST: with reclining stand
Cabinet Color		Black
Panel	Type	TFT Color-LCD Panel (IPS)
	Backlight	LED
	Size	23.8" (60.5 cm)
	Native Resolution	1920 x 1080 (16:9 aspect ratio)
	Viewable Image Size (H x V)	527 x 296.5 mm
	Pixel Pitch (H x V)	0.275 x 0.275 mm
	Display Colors	8-bit colors: 16.77 million colors
	Viewing Angles (H / V, typical)	178° / 178°
	Brightness (typical)	600 cd/m ²
	Contrast (typical)	1000:1
Response Time (typical)		14 ms (gray-to-gray)
Video Signals	Input Terminals	DisplayPort, DVI-I (digital and analog RGBHV)
	Digital Scanning Frequency (H / V)	30 - 100 kHz / 50 - 85 Hz
	Analog Scanning Frequency (H / V)	30 - 100 kHz / 50 - 85 Hz
	Sync Formats	Sync Separate, Composite Sync and SoG
USB	Upstream	USB 2.0: Type-B (communication between monitor and connected PC)
	Downstream	USB 2.0: Type-A (communication with external devices)
Touch Panel	Type	Projected Capacitive
	Maximum Touch Points	10
	Surface Treatment	Anti-glare (AG80), anti-fingerprint coating
Sensor		Internal backlight and temperature sensor
OSD Languages		English, German
Power	Power Requirements	AC 100 - 240 V: 50 / 60 Hz
	Maximum Power Consumption	46 W
	Power Save Mode	Less than 2W (Touch On) Less than 1W (Touch Off)
	Power Management	Digital: DVI DMPM Analog: VESA DPMS
	Power Output	DC 5V, 1A (Hirose)
Physical Specifications	Protective Screen	Hardness 7H
	Net Weight	6.0 kg (LX2420-T) 6.2 kg (LX2420-ST)
	Hole Spacing (VESA Standard)	100 x 100 mm, M4, depth 10 mm
Environmental Requirements		IP20
Certifications & Standards (Please contact EIZO for the latest information)		CE / UKCA (Medical Device), IEC/ EN60601-1, CSA-C22.2 No. 60601-1:14 + A2:22 / AAMI ES60601-1:2005 (R)2012, + A2:2021, EN60601-1-2 Class B, FCC-B, RoHS, China RoHS, WEEE, CCC
Supplied Accessories (May vary by country. Please contact EIZO for details)		DVI cable, DisplayPort cable, USB cable, Utility Disk (PDF Instructions for Use)
Order Numbers		6GF62003AL10 (LX2420-T) 6GF62003AL01 (LX2420-ST)

Dimensions (mm)



You will find your EIZO contact partner at:
<https://www.eizo-or.com/contact>

EIZO, the EIZO logo, and CuratOR are registered trademarks of EIZO Corporation. DisplayPort is a trademark of the Video Electronics Standards Association in the United States and other countries. DICOM is the registered trademark of the National Electrical Manufacturers Association for its standards publications relating to digital communications of medical information. All other company names, product names, and logos are trademarks or registered trademarks of their respective owners. Specifications are subject to change without notice.