



Digital viewing system with two 24-inch screens and integrated IT- and video management components

Perfect Viewing

The Surgical Panel SP2-24 is designed for use in the operating room. Integrated into the hospital's IT structure, it supports various workflows. The SP2-24 forms a space-saving combination of HIS and PACS station. Different applications are covered by just one device.



Customized Housing

The housing dimensions can be customized along with the combination of the powdered stainless steel and glass housing materials. Colors from the RAL palette range can be selected to ideally suit the desired OR color scheme.



Surgical Panel SP2-24

Wide Ranging Monitor Options

With options to select the number, size, type and arrangement of the integrated monitors, as well as the ability to configure some as touchscreens, the Surgical Panel can be selected to optimally fit the local application needs.

Intuitive Touch Operation

Some CuratOR Surgical Panel can be equipped with touchscreens to facilitate intuitive operation of software in the OR. For use in sterile environment they can be easily operated with gloves.

Flexible IT und Video Management

The modular interior design allows customer-specific configurations and facilitates access for service and maintenance.

OR Integration and Cleanability

With its flat surface, the Surgical Panel can be completely sealed in the front and integrated in the OR wall, ensuring safety and simple cleaning and disinfection procedures. With intelligent heat distribution over the front surface, the units do not require specialized ventilation systems.

Accessories and Connectivity

With its broad connectivity options and modular design, peripheral devices can be added to the unit in accordance with local user needs.

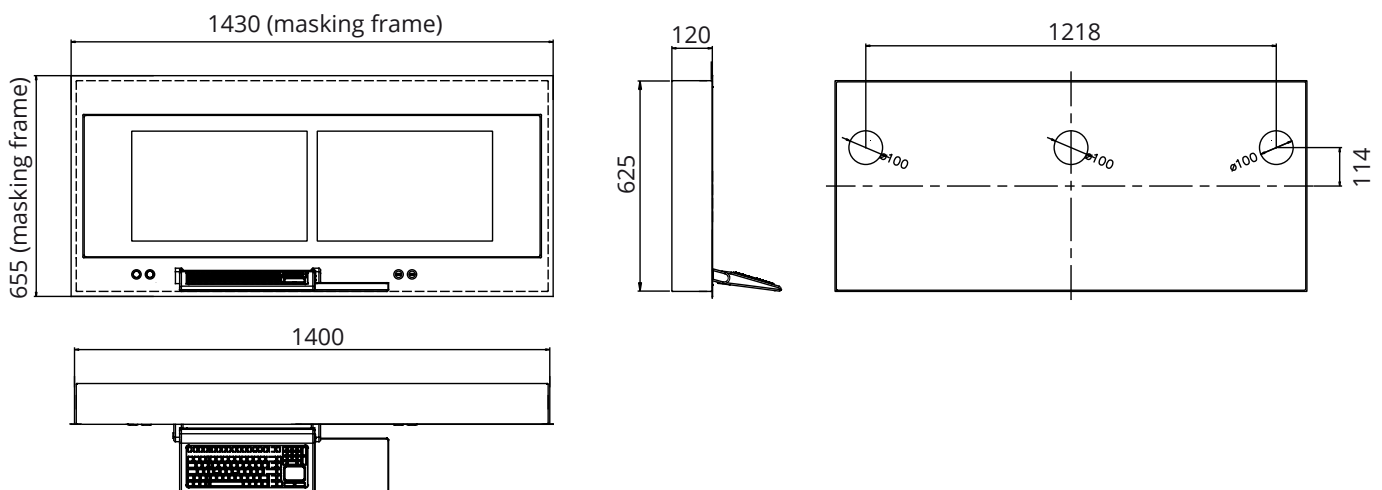
Easy Maintenance and Service

The trunk design allows easy access to the device without complicated disassembly or tooling needs. With its unique locking system, screw connections need not be opened, making maintenance procedures on the installed components simple and efficient.

Specifications

Housing	Material	Powder-coated stainless steel
	Front	Combination of stainless steel and anti-reflective safety glass (ESG)
	Color	Available in every RAL color
	Mounting Options	Suitable for flush mounting or surface mounting
Panel 1	Size	24"
	Diagonal	60 cm (16:9 aspect ratio)
	Panel Type	Color TFT LCD Panel with DICOM Preset
	Native Resolution	1920 × 1080 (2.07 MP)
	Display Colors	16.7 million colors
	Pixel Pitch	0.274 mm x 0.274 mm
	Brightness (typical)	250 cd/m ²
	Contrast Ratio (typical)	1000:1
	Viewing Angles (H / V, maximum)	178°, 178°
	Response Time (typical)	5.0 ms (Midtone)
	Backlight	LED
	Signal Inputs	DisplayPort, HDMI, DVI-D, DSub
Panel 2	Size	24"
	Diagonal	60 cm (16:9 aspect ratio)
	Panel Type	Color TFT LCD Panel with DICOM Preset
	Native Resolution	1920 × 1080 (2.07 MP)
	Display Colors	16.7 million colors
	Pixel Pitch	0.274 mm x 0.274 mm
	Brightness (typical)	250 cd/m ²
	Contrast Ratio (typical)	1000:1
	Viewing Angles (H / V, maximum)	178°, 178°
	Response Time (typical)	5.0 ms (Midtone)
	Backlight	LED
	Signal Inputs	DisplayPort, HDMI, DVI-D, DSub
IT Components		INTEL® Core™ i5 processor - 3.x GHz, INTEL® Chipset, 6 MB L3 Cache, 8 GB DDR3 RAM (extendable), SATA HDD or SATA SSD, LAN RJ 45 - 10/100/1000 Base TX
Operating System		MS Windows 10 Pro
Keyboard / Mouse		Anti-microbial medical silicone keyboard with integrated mouse storage (foldable), silicone mouse (visual 5 keys, laser mouse/IP65)
Inputs		USB 2.0 / 3.0 x 2 (front side)
Push Buttons		Main switch (front side) System switch (front side)
Maximum Power Consumption		216.5 W
Power Requirements		100 - 240 V / 50 - 60 Hz / 4 - 2 A
Thermal Load		779.4 kJ/h
Net Weight		appr. 44 kg
Certifications & Standards (Please contact EIZO for the latest information)		CE, IEC/EN 62368-1, IEC/EN 60601-1-2, RoHS, WEEE
Dimensions (mm)	Niche (WxHxD)	1410 x 635 x 140
	Device (WxHxD)	1400 x 625 x 120

Dimensions (mm)



You will find your EIZO contact partner at:
www.eizo-or.com/contact

All product names are trademarks or registered trademarks of their respective companies. EIZO, the EIZO Logo, and CuratOR are registered trademarks of EIZO Corporation. Specifications are subject to change without notice.